

CARDONE™ ProTech®

Supporting Today's Vehicle Technician



Tips To Prevent CV Axle From Getting Stuck in Transmission

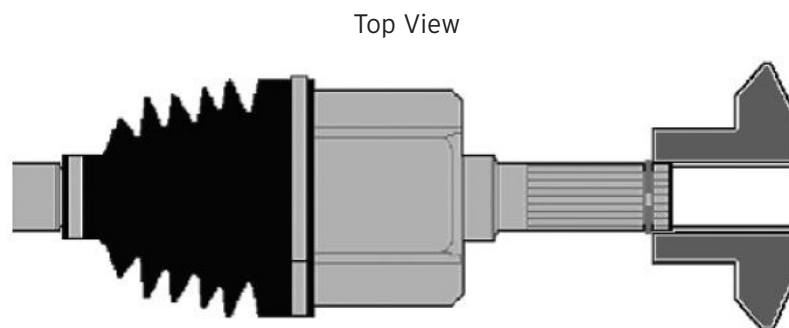
Application All Front Wheel Drive Vehicles With CV Axles.

Problem Inability to remove inner CV axle joint from transmission.

Cause C-clip mis-shaped or rolled over upon installation.

Solution Useful tips before installing axle into transmission:

- Use a small amount of light grease to help slide the splines and clip in.
- Orient the clip opening at 12:00 to prevent the ends from rolling over.
- Use a special compress tool where applicable.
- Do not use a hammer or force the axle into the transmission.



Note This bulletin is supplied as technical information only and is not an authorization for repair.