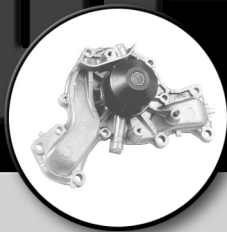


CARDONE ProTech

Supporting Today's Professional Technician



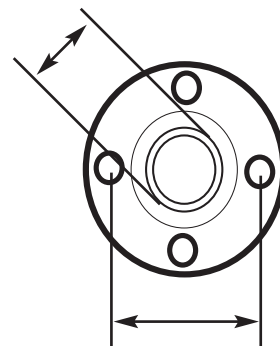
Matching Critical Dimensions and Features Ensures Correct Pump

Application: All vehicles with water pumps.

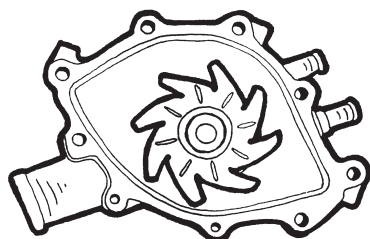
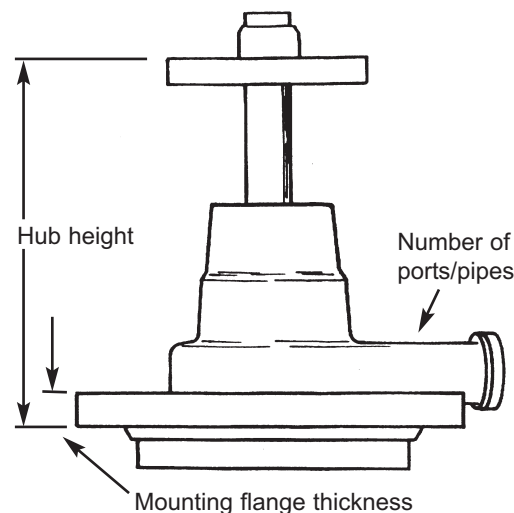
Problem: Installation problem due to improper fit or improper pump operation.

Cause: Replacement unit was not compared to original pump before installation.

Solution: Always match critical dimensions before installing the replacement water pump.



Shaft size, hub bolt pattern and spacing, number of holes, thread size and type



Casting mounting holes and location

Note: Be sure to read and follow all installation instructions, tags or labels. Refer to Pro-Techs PT 58-0004, PT 58-0005 and PT 58-0006 for specific application issues.

For other ProTech publications, visit www.cardone.com
CARDONE Industries, Inc. • 5501 Whitaker Ave. • Philadelphia, PA 19124-1799