

DO YOU KNOW HOW LONG IT TOOK THIS COMPRESSOR TO EXPERIENCE CATASTROPHIC DAMAGE DUE TO LIQUID “SLUGGING”?
LESS TIME THAN IT TOOK YOU TO READ THIS QUESTION!

A/C systems that have a low mount compressor are prone to liquid “slugging.” When the vehicle sits or is down, oil and liquid refrigerant collects in the compressor body leading to hydraulic lock and catastrophic failure on startup. The Deslugger[®] is patented and available exclusively from Four Seasons[®] to solve this problem.

- **PREVENTS LIQUID SLUGGING IN LOW MOUNTED COMPRESSORS**
- **EXCLUSIVE PATENTED TECHNOLOGY DEVELOPED BY SMP TEMPERATURE CONTROL**
- **PROTECTS BOTH NEW & RE-ENGINEERED COMPRESSORS**
- **REDUCE OR ELIMINATE COMEBACKS**
- **SIMPLE PLUG AND PLAY INSTALLATION**
- **PRE-DRILLED TABS ALLOW EASY MOUNTING**



P/N 36140
Universal



P/N 36141
GM



P/N 36142
Dodge



P/N 36150
Ford



See reverse side or scan here for more information about The Deslugger

PROTECT YOUR INVESTMENT IN 10 MINUTES...

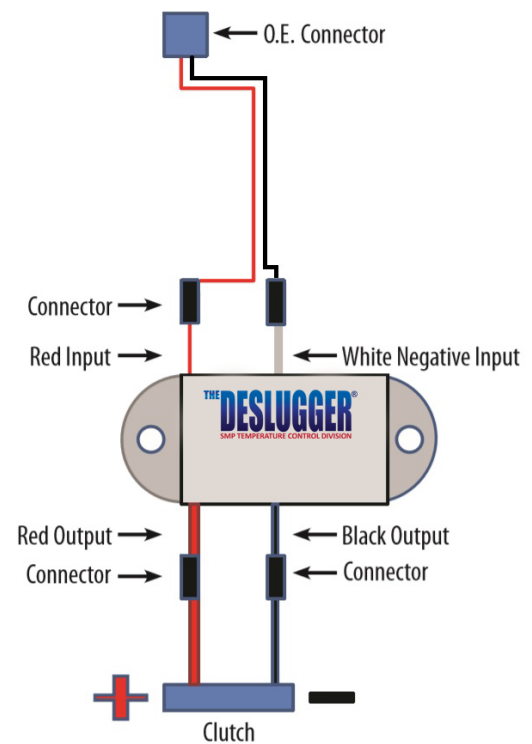
The Deslugger® reduces liquid “slugging” problems by pulsing the compressor clutch multiple times during initial engagement. Gradually engaging the compressor at startup aids in moving trapped liquids out to help prevent catastrophic failure. Once deslugging is complete, the compressor will cycle normally. The Deslugger® will again cycle the clutch if the system is off for more than 30 minutes.

THE NEXT TIME YOU HAVE A COMPRESSOR REPLACEMENT, INSURE THE JOB BY INSTALLING THE DESLUGGER®

Preventing liquid slugging is beneficial on existing systems and ensures lasting A/C performance. The simple plug and play installation in series with the compressor clutch does not require system evacuation or removal of any components. Simply install the Deslugger® between the vehicle harness connector and the compressor clutch with the included O.E. style connectors. Typical installation time is 10 minutes.

| Compressor P/N | *Applications | Deslugger® P/N |
|----------------|--|----------------|
| 57881 | Honda CR-V 2.4L (06-02) | 36140 |
| 58881 | Honda CR-V 2.4L (06-02) | 36140 |
| 77362 | Several GM Car/Light Truck (12-00) | 36141 |
| 77363 | Several GM Car/Light Truck (12-00) | 36141 |
| 77376 | Several GM Car/Light Truck (11-03) | 36141 |
| 77377 | Several GM Car/Light Truck (11-03) | 36141 |
| 78362 | Several GM Car/Light Truck (12-00) | 36141 |
| 78363 | Several GM Car/Light Truck (12-00) | 36141 |
| 78376 | Several GM Car/Light Truck (11-03) | 36141 |
| 78377 | Several GM Car/Light Truck (11-03) | 36141 |
| 77374 | Several Chrysler /Dodge Car/Light Truck (07-01) | 36142 |
| 78374 | Several Chrysler /Dodge Car/Light Truck (07-01) | 36142 |
| 68185 | Several Ford/Lincoln/Mercury Car/Light Truck (11-06) | 36150 |
| 68672 | Ford/Mazda/Mercury Light Truck (12-07) | 36150 |
| 168665 | Ford F-150 (18-15), Lobo (16-15) | 36150 |

Clutch Circuit Wiring Diagram



*For complete application information scan here or visit our eCatalog at www.4s.com