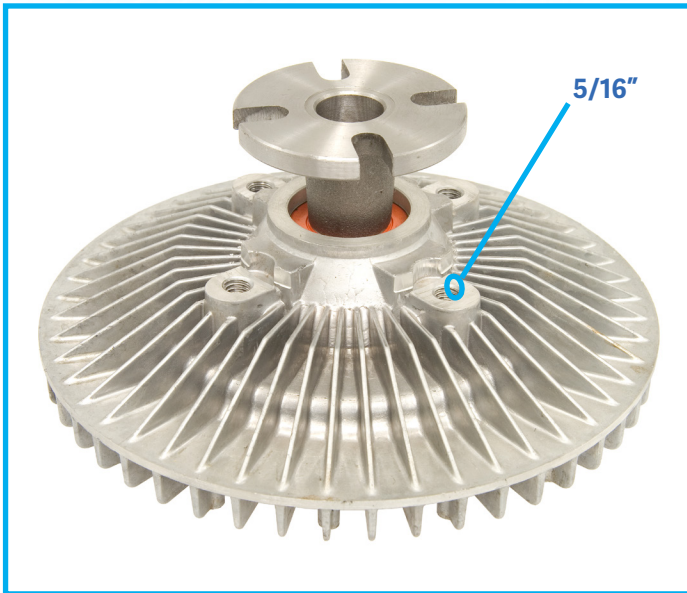


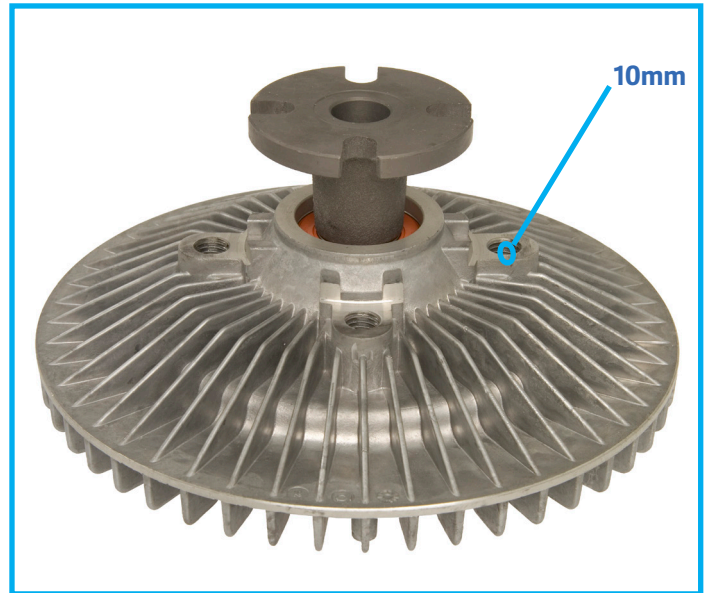
FAN CLUTCH BOLTS FOR 1989 – 1991 GM LIGHT TRUCK

There have been reports of an alleged application problem with two fan clutches, part numbers 36956 and 36992. The reports are of either incorrect size bolts and or bolt holes where the fan blade attaches to the fan clutch.

APPLICATION- Fan clutches for 1989-1991 GM light trucks (C/K and R/V series). During these model years, the original equipment manufacturer (OEM) used both a clockwise and a counter-clockwise rotation clutch. The OEM clockwise clutch utilizes 5/16-inch bolts, while the OEM counter-clockwise clutch utilizes 10mm bolts. **Four Seasons fan clutches are based on OEM specs.**



Standard Rotation Fan Clutch
P/N 36956 with 5/16" bolt holes



Reverse Rotation Fan Clutch
P/N 36992 with 10mm bolt holes

BE VERY CAREFUL TO MATCH THE CORRECT FAN CLUTCH TO THE CORRECT APPLICATION.

Many aftermarket clutch manufacturers have chosen to over consolidate fan clutches with the 5/16" bolt hole for both standard and reverse rotation clutches. If the fan clutch has previously been replaced with an aftermarket unit, the OEM bolts may have been replaced with smaller 5/16" aftermarket supplied bolts. If this is the case, the Four Seasons replacement fan clutch will require replacement bolts (sold separately). If the customer retained the original OEM 10mm bolts, those can be used. Otherwise, the four OEM 10mm bolts can be purchased through any local GM Dealership as GM part #11516869. If OE bolts are unavailable, they can be fabricated from existing stock to the following minimum specifications: Grade 5 Hex Head - 10mm x 1.5 x 13mm. Final installation will require the use of a washer and loctite.

REMEMBER – Choose the correct clutch, either clockwise (standard) rotation or counter-clockwise (reverse) rotation. Never make modifications to either the clutch or the fan blade.