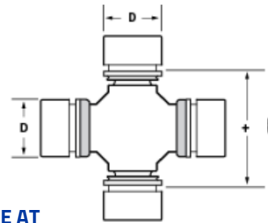


# MOOG® Premium U-Joints

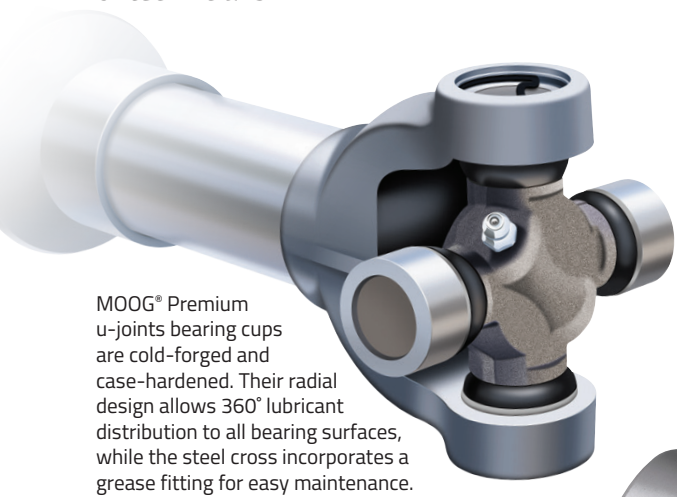
## Designed for performance

When it comes to total undercar solutions, MOOG® steering and suspension components are the choice of more professional technicians. MOOG's leading-edge engineering, metallurgy and manufacturing, along with long-lasting, problem-solving performance, have earned the trust of technicians.

**MOOG® Universal Joint Specifications**



AVAILABLE AT  
[www.fme-cat.com/MOOGUjspecs](http://www.fme-cat.com/MOOGUjspecs)



MOOG® Premium u-joints bearing cups are cold-forged and case-hardened. Their radial design allows 360° lubricant distribution to all bearing surfaces, while the steel cross incorporates a grease fitting for easy maintenance.

**NITRILE RUBBER GREASE SEALS**

Purgeable nitrile rubber grease seals use a compressed double lip design for effective protection against contaminants.

**GREASEABLE DESIGN**

Greaseable u-joint allows for new grease to flush out contamination and moisture.

**CASE-HARDENED BEARING CUP**

Premium u-joints are cold-forged, case-hardened and then precision-ground.

**STEEL CROSS**

Premium u-joints steel crosses are forged and carburized heat-treated.

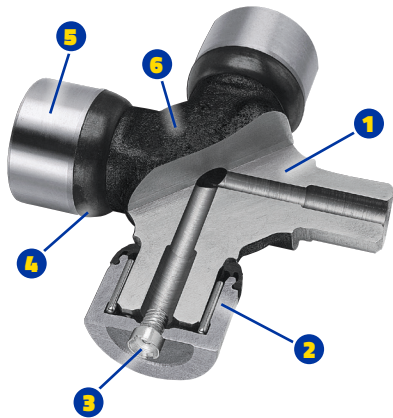
**NEEDLE BEARING**

Needle bearings are precision-ground for ideal carrying capabilities.

**RADIAL DESIGN**

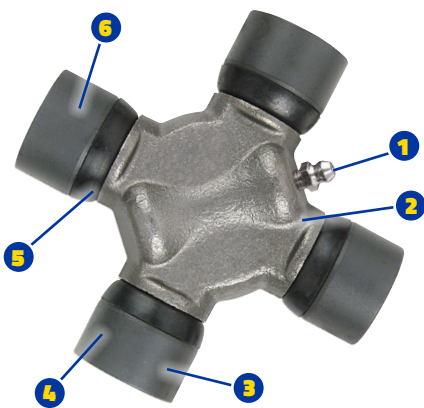
Bearing cups utilize a radial design to allow 360° lubricant distribution to all bearing surfaces.

# MOOG® Offers a Complete Line of Premium U-Joints



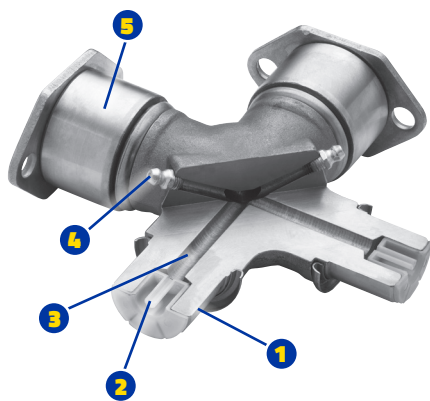
## Super Strength® U-Joints

- 1 Alloy steel crosses are forged and case-hardened.
- 2 Bearing cups feature a radial design to allow 360° lubricant distribution to all bearing surfaces.
- 3 Greaseable versions feature a flush lube fitting in the bearing cup for easy access. Cross strength is increased by eliminating unnecessary grease channels.
- 4 Abrasion-resistant nitrile seals provide ideal grease retention and protection from under-vehicle contaminants.
- 5 Case-hardened bearing cups are precision-machined for consistent quality throughout the joint.
- 6 Super Strength® u-joints feature an exclusive MICRO SHIELD coating to protect against rust and corrosion.



## Anti-Galvanic U-Joints

- 1 Greaseable u-joint allows for new grease to flush out contamination and moisture.
- 2 Anti-Galvanic u-joints steel crosses are forged and carburized.
- 3 Bearing cups utilize a radial design to allow 360° lubricant distribution to all bearing surfaces.
- 4 Needle bearings are precision-ground for ideal carrying capabilities.
- 5 Purgeable nitrile rubber grease seals use a compressed double lip design for effective protection against contaminants.
- 6 Chemically-coated, corrosion-resistant bearing cups are cold-forged, case-hardened and then precision-ground.



## Heavy Duty U-Joints

- 1 Cross trunnions are ground during manufacturing to a 15-25 RMS finish. This provides a smooth surface that is free of microscopic grooves that can cause premature wear.
- 2 Internal anti-drainback valve is integrated into the thrust washer to control lubrication flow and prevent dry start-up.
- 3 Cross trunnions have large grease reservoirs that feature radial grease channels for grease distribution.
- 4 Grease fitting holes are drilled and tapped. Most MOOG® Heavy Duty u-joints feature dual grease fittings for easier access during regular joint maintenance.
- 5 Bearing cups are cold-formed and case-hardened with a state-of-the-art manufacturing process to ensure the highest quality. All parts are ground to stringent tolerances with quality control inspections at every step of the manufacturing process.

For parts lookup, visit: [www.fme-cat.com](http://www.fme-cat.com)  
Tech line: 1-800-325-8886

[moogparts.com](http://moogparts.com) #partsmatter

FEDERAL-MOGUL  
MOTORPARTS  
Parts Matter™

©2018 Federal-Mogul Motorparts LLC. All other trademarks shown are owned by Federal-Mogul LLC, or one or more of its subsidiaries, in one or more countries. #MG181069



The Problem Solver®