

# INSTRUCTION SHEET

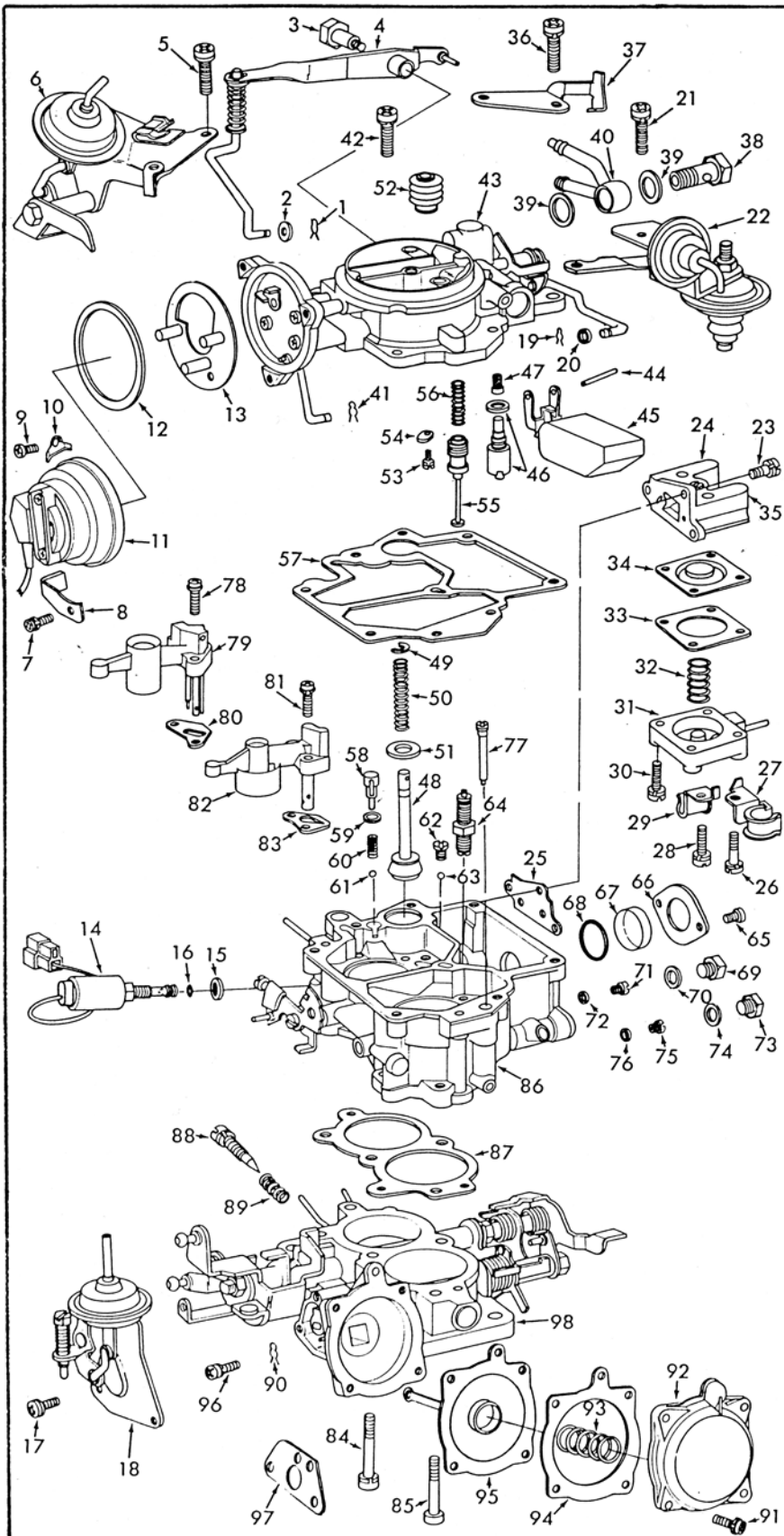
## AISAN CARBURETOR

### (4M ENGINE)

08050-521

#### GENERAL EXPLODED VIEW

THE GENERAL DESIGN AND PARTS SHOWN WILL VARY TO INDIVIDUAL UNITS COVERED ON THIS INSTRUCTION SHEET



#### DISASSEMBLY

USE EXPLODED VIEW AS A GUIDE. THE NUMERICAL SEQUENCE MAY GENERALLY BE FOLLOWED TO DISASSEMBLE UNIT FAR ENOUGH TO PERMIT CLEANING AND INSPECTION. NOTE: TO REMOVE SECONDARY DIAPHRAGM HOUSING GASKET (97), WITHOUT REMOVING THROTTLE SHAFT ASSY. REMOVE SCREWS (96), SLIT GASKET AT BOTTOM THUR TO THROTTLE SHAFT HOLE AND PULL OUT. SLIT NEW GASKET AT BOTTOM TO REINSTALL.

#### NOMENCLATURE

REF. NO.	REF. NO.
1. RETAINER- PUMP ROD	47. SCREEN- FUEL FILTER
2. WASHER- PUMP ROD	48. PUMP ASSY.
3. SCREW- PUMP LEVER	49. E CLIP- PUMP STEM
4. LEVER & CONNECTING ROD ASSY.- PUMP	50. SPRING- PUMP RETURN
5. SCREW & LOCKWASHER (2)- FAST IDLE VACUUM BRAKE DIAPHRAGM	51. WASHER- PUMP RETURN SPRING
6. DIAPHRAGM ASSY.- FAST IDLE VACUUM BREAK	52. BOOT- PUMP
7. SCREW & LOCKWASHER- CAM STOP	53. SCREW & LOCKWASHER- PISTON STOP
8. STOP- FAST IDLE CAM	54. STOP- PISTON
9. SCREW & LOCKWASHER (2)- CHOKE RETAINER	55. PISTON- POWER
10. RETAINER(2)- CHOKE COVER	56. SPRING- POWER PISTON
11. CHOKE COVER ASSY	57. GASKET- BOWL COVER
12. GASKET- CHOKE COVER	58. JET- PUMP
13. PLATE- CHOKE BAFFLE	59. O-RING- PUMP JET
14. SOLENOID- IDLE CUT OFF	60. SPRING- PUMP DISC. BALL
15. GASKET- SOLENOID	61. BALL- PUMP DISC (LARGE)
16. O-RING- SOLENOID	62. PLUG- BALL CHECK.
17. SCREW & LOCKWASHER (3)- THROTTLE POSITIONER ASSY	63. BALL- PUMP INTAKE CHECK (SMALL)
18. THROTTLE POSITIONER ASSY	64. POWER VALVE ASSY.
19. RETAINER- CHOKE PULL OFF LINK	65. SCREW (2)- SIGHT GLASS RETAINER
20. WASHER- CHOKE PULL OFF LINK	66. RETAINER- SIGHT GLASS
21. SCREW & WASHERS (2)- CHOKE PULL OFF ASSY.	67. SIGHT GLASS
22. CHOKE PULL OFF & DASHPOT ASSY.	68. O-RING- SIGHT GLASS SEAL
23. SCREW & LOCKWASHER (3)- AUX PUMP ASSY.	69. PLUG- PRI. MAIN JET
24. AUX. PUMP ASSY.	70. GASKET- PLUG
25. GASKET- AUX. PUMP ASSY.	71. JET- PRI. MAIN (BRASS)
26. SCREW & LOCKWASHER- CLAMP	72. GASKET- PRI. MAIN JET
27. CLAMP- TUBE	73. PLUG- SEC. MAIN JET
28. SCREW & LOCKWASHER- CLAMP.	74. GASKET- PLUG
29. CLAMP- TUBE.	75. JET- SEC. MAIN (CROME)
30. SCREW & LOCKWASHER (2)- COVER	76. GASKET- SEC. MAIN JET
31. COVER- AUX. PUMP DIAPHRAGM	77. JET- IDLE
32. SPRING- AUX. DIAPHRAGM	78. SCREW & LOCKWASHER (2)- PRI. VENTURI
33. GASKET- AUX. DIAPHRAGM	79. PRIMARY VENTURI ASSY
34. DIAPHRAGM ASSY.- AUX. PUMP	80. GASKET- PRI. VENTURI
35. HOUSING- AUX. PUMP	81. SCREW & LOCKWASHER (2)- SEC. VENTURI
36. SCREW & LOCKWASHER (2)- FUEL INLET FITTING LOCK	82. SECONDARY VENTURI ASSY
37. LOCK- FUEL INLET FITTING	83. GASKET- SEC. VENTURI
38. BOLT- FUEL INLET FITTING	84. SCREW & LOCKWASHER (3)- THROTTLE BODY
39. GASKET (2)- FUEL INLET FITTING	85. SCREW & LOCKWASHER- THROTTLE BODY (HOLLOW)
40. FITTING- FUEL INLET & BY PASS	86. FLOAT BOWL ASSY
41. RETAINER- FAST IDLE ROD	87. GASKET- THROTTLE BODY
42. SCREW & LOCKWASHER- BOWL COVER.	88. NEEDLE- IDLE ADJUSTING
43. BOWL COVER ASSY.	89. SPRING- IDLE ADJ. NEEDLE
44. PIN- FLOAT	90. RETAINER- SEC. DIAPHRAGM ROD
45. FLOAT ASSY.	91. SCREW & LOCKWASHER (4)- COVER
46. NEEDLE, SEAT & GASKET ASSY.	92. COVER- SEC. VACUUM DIAPHRAGM
	93. SPRING- SEC. DIAPHRAGM
	94. GASKET- SEC. DIAPHRAGM
	95. SECONDARY DIAPHRAGM ASSY.
	96. SCREW & LOCKWASHER (3)- SEC. DIAPHRAGM HOUSING
	97. GASKET- SEC. DIAPHRAGM HOUSING
	98. THROTTLE BODY ASSY.

#### CLEANING

CLEANING MUST BE DONE WITH CARBURETOR DISASSEMBLED. SOAK PARTS LONG ENOUGH TO SOFTEN AND REMOVE ALL FOREIGN MATERIAL. USE A CARBURETOR CLEANING SOLVENT. MAKE CERTAIN THE THROTTLE BODY IS FREE OF ALL CARBON DEPOSITS. WASH OFF IN SUITABLE SOLVENT. BLOW OUT ALL PASSAGES IN CASTINGS WITH COMPRESSED AIR AND CHECK CAREFULLY TO INSURE THOROUGH CLEANING OF OBSCURE AREAS. CAUTION: DO NOT SOAK ANY OF THE FOLLOWING PARTS IN CLEANING SOLVENTS. PARTS MADE OF RUBBER, DIAPHRAGM ASSYS (6),(18),(22),(95), FLOAT (45), CHOKE COVER (11), SOLENOID (14).

#### REASSEMBLY

REASSEMBLE IN REVERSE ORDER OF DISASSEMBLY. NOTE SPECIAL INSTRUCTIONS AND ADJUSTMENTS.

# ADJUSTMENTS

## SPECIAL INSTRUCTIONS

SECONDARY HOUSING GASKET (97)-SLIT BOTTOM OF GASKET THUR TO THROTTLE SHAFT HOLE AND CAREFULLY SLIP IN TO PLACE.

IDLE ADJUSTING NEEDLE (88)-TURN NEEDLE IN UNTIL LIGHTLY SEATED, THEN BACK OUT 2 1/2 TURNS.

SIGHT GLASS (67)-INSTALL WITH DOT TO THE INSIDE OF FUEL BOWL.

PUMP PLUNGER (48)-REMOVE PAPER SLEEVE FROM LEATHER CUP IF USED, FLEX LEATHER OUTWARD SLIGHTLY. SOAK CUP IN LIGHT OIL FOR A FEW MINUTES PRIOR TO PLACING IN CARBURETOR.

CHOKE COIL COVER (11)-WHEN INSTALLING BE SURE HOOK ON COIL SPRING IS AGAINST ARM OF CHOKE SHAFT. ROTATE CHOKE COVER AGAINST SPRING TENSION. ALIGN MARK ON COVER WITH INDEX MARK ON HOUSING.

