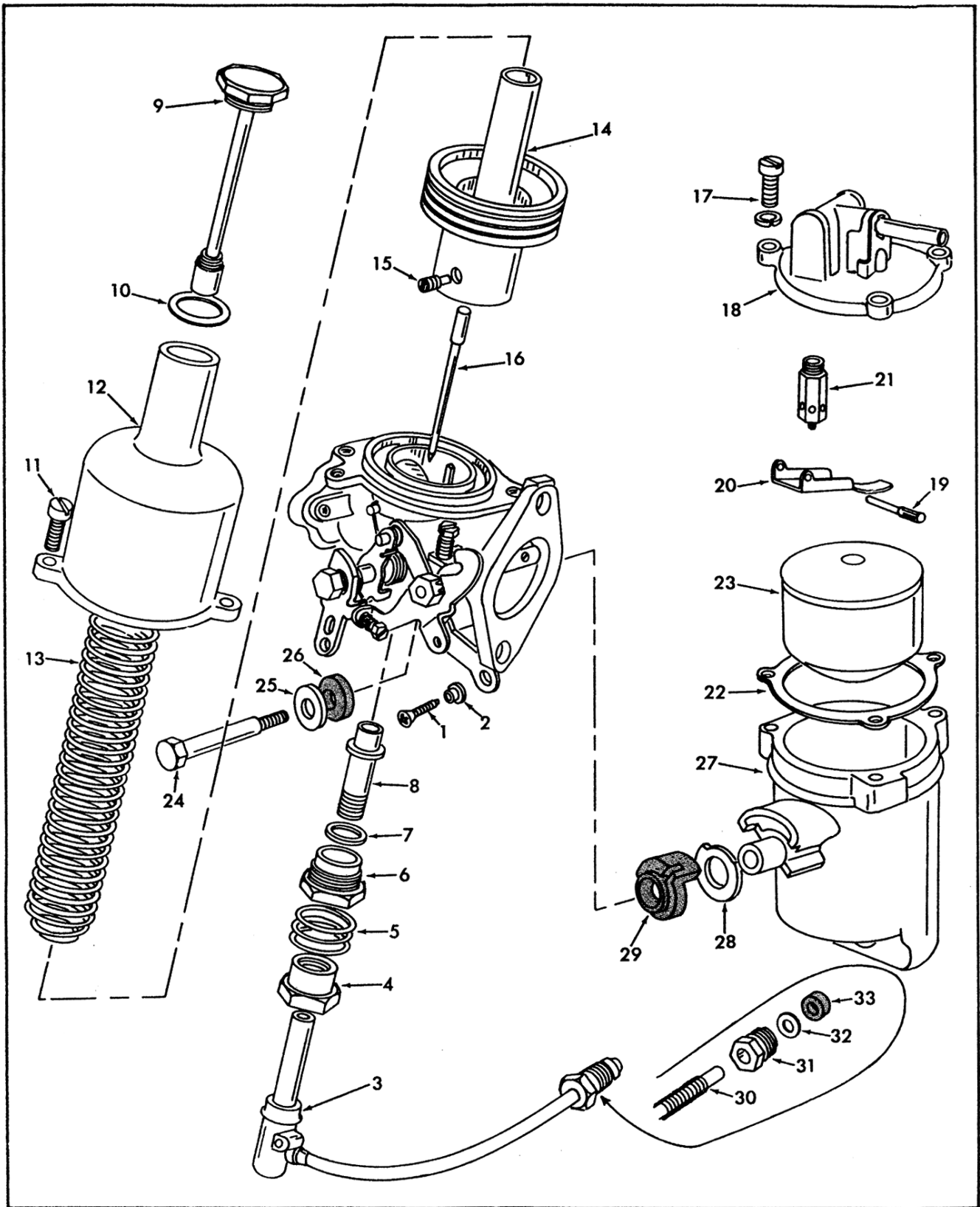


GENERAL EXPLODED VIEW

08050-6032

THE GENERAL DESIGN AND PARTS SHOWN WILL VARY TO INDIVIDUAL UNITS COVERED ON THIS INSTRUCTION SHEET



NOMENCLATURE

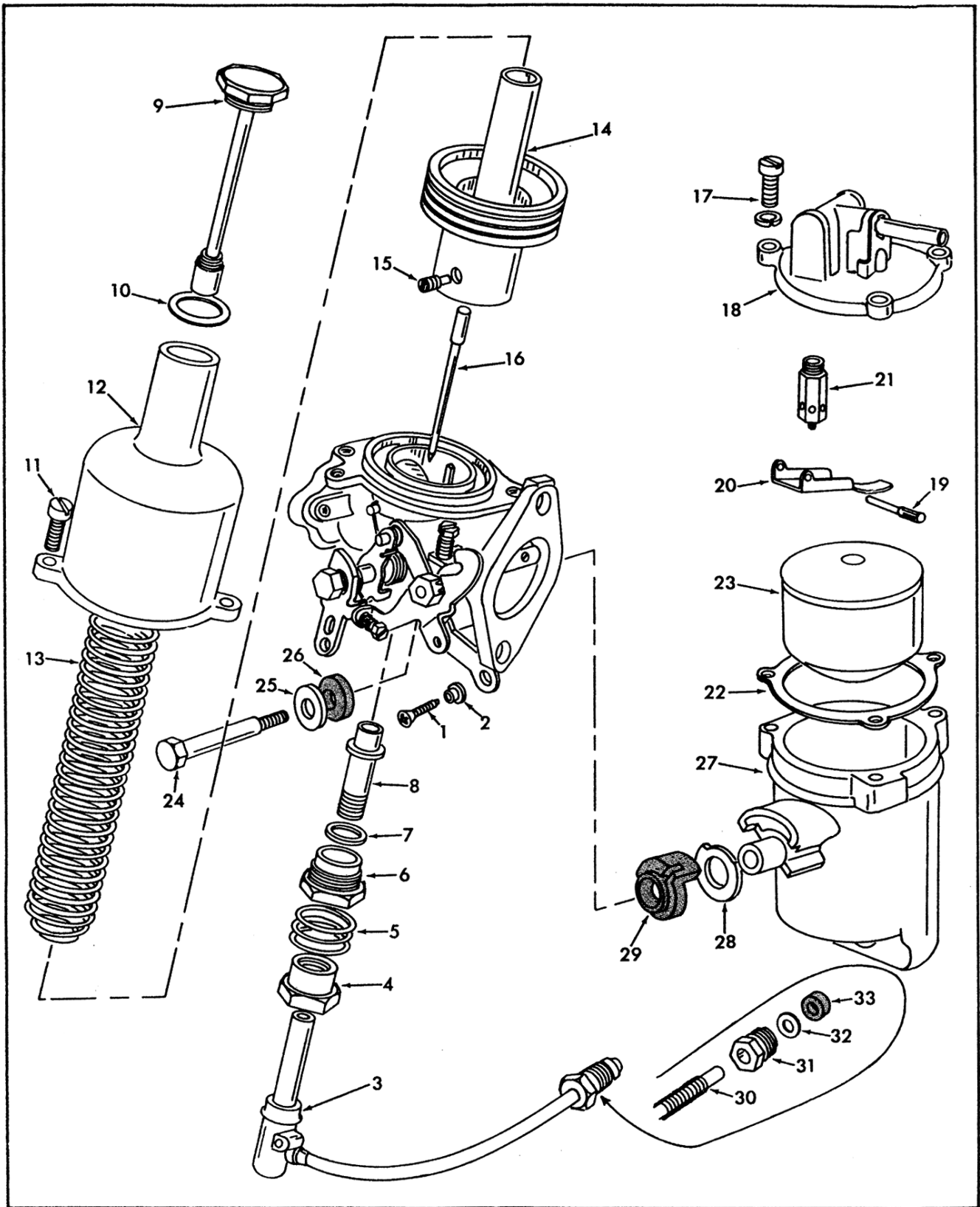
- | | | | |
|--------------------------------|---------------------------------|---------------------------------|---------------------------------|
| 1. SCREW - LINK TO JET | 11. SCREW - CHAMBER TO BODY (2) | 20. LEVER - FLOAT | 27. FLOAT CHAMBER |
| 2. BUSHING - LINK TO JET SCREW | 12. CHAMBER - PISTON | 21. NEEDLE & SEAT ASSEMBLY | 28. WASHER - SUPPORT |
| 3. JET ASSEMBLY | 13. SPRING - PISTON | 22. GASKET-FLOAT CHAMBER COVER | 29. GROMMET - RUBBER |
| 4. NUT - JET ADJUSTING | 14. PISTON | 23. FLOAT | |
| 5. SPRING - JET LOCKING | 15. SCREW - NEEDLE LOCKING | | |
| 6. NUT - JET LOCKING | 16. NEEDLE | | |
| 7. WASHER - JET BEARING | 17. SCREW & LOCKWASHER - | | |
| 8. BEARING - JET | FLOAT CHAMBER COVER (3) | | |
| 9. CAP & DAMPER ASSEMBLY | 18. COVER - FLOAT CHAMBER | | |
| 10. WASHER - CAP | 19. PIN - FLOAT LEVER | | |
| | | REMOVE FOLLOWING PARTS IF FLOAT | |
| | | CHAMBER IS RUBBER MOUNTED | |
| | | 24. BOLT - FLOAT CHAMBER | 30. PLASTIC FUEL LINE WITH WIRE |
| | | 25. WASHER - STEEL | SPRING GUARD |
| | | 26. WASHER - RUBBER | 31. NUT - FUEL LINE |
| | | | 32. WASHER - BRASS |
| | | | 33. WASHER - RUBBER |

JET TUBE ATTACHING SOME MODELS

GENERAL EXPLODED VIEW

THE GENERAL DESIGN AND PARTS SHOWN WILL VARY TO INDIVIDUAL UNITS COVERED ON THIS INSTRUCTION SHEET

08050-6032



NOMENCLATURE

- | | | | |
|--------------------------------|--|---|--|
| 1. SCREW - LINK TO JET | 11. SCREW - CHAMBER TO BODY (2) | 20. LEVER - FLOAT | 27. FLOAT CHAMBER |
| 2. BUSHING - LINK TO JET SCREW | 12. CHAMBER - PISTON | 21. NEEDLE & SEAT ASSEMBLY | 28. WASHER - SUPPORT |
| 3. JET ASSEMBLY | 13. SPRING - PISTON | 22. GASKET-FLOAT CHAMBER COVER | 29. GROMMET - RUBBER |
| 4. NUT - JET ADJUSTING | 14. PISTON | 23. FLOAT | |
| 5. SPRING - JET LOCKING | 15. SCREW - NEEDLE LOCKING | REMOVE FOLLOWING PARTS IF FLOAT CHAMBER IS RUBBER MOUNTED | |
| 6. NUT - JET LOCKING | 16. NEEDLE | 24. BOLT - FLOAT CHAMBER | JET TUBE ATTACHING SOME MODELS |
| 7. WASHER - JET BEARING | 17. SCREW & LOCKWASHER - FLOAT CHAMBER COVER (3) | 25. WASHER - STEEL | 30. PLASTIC FUEL LINE WITH WIRE SPRING GUARD |
| 8. BEARING - JET | 18. COVER - FLOAT CHAMBER | 26. WASHER - RUBBER | 31. NUT - FUEL LINE |
| 9. CAP & DAMPER ASSEMBLY | 19. PIN - FLOAT LEVER | | 32. WASHER - BRASS |
| 10. WASHER - CAP | | | 33. WASHER - RUBBER |