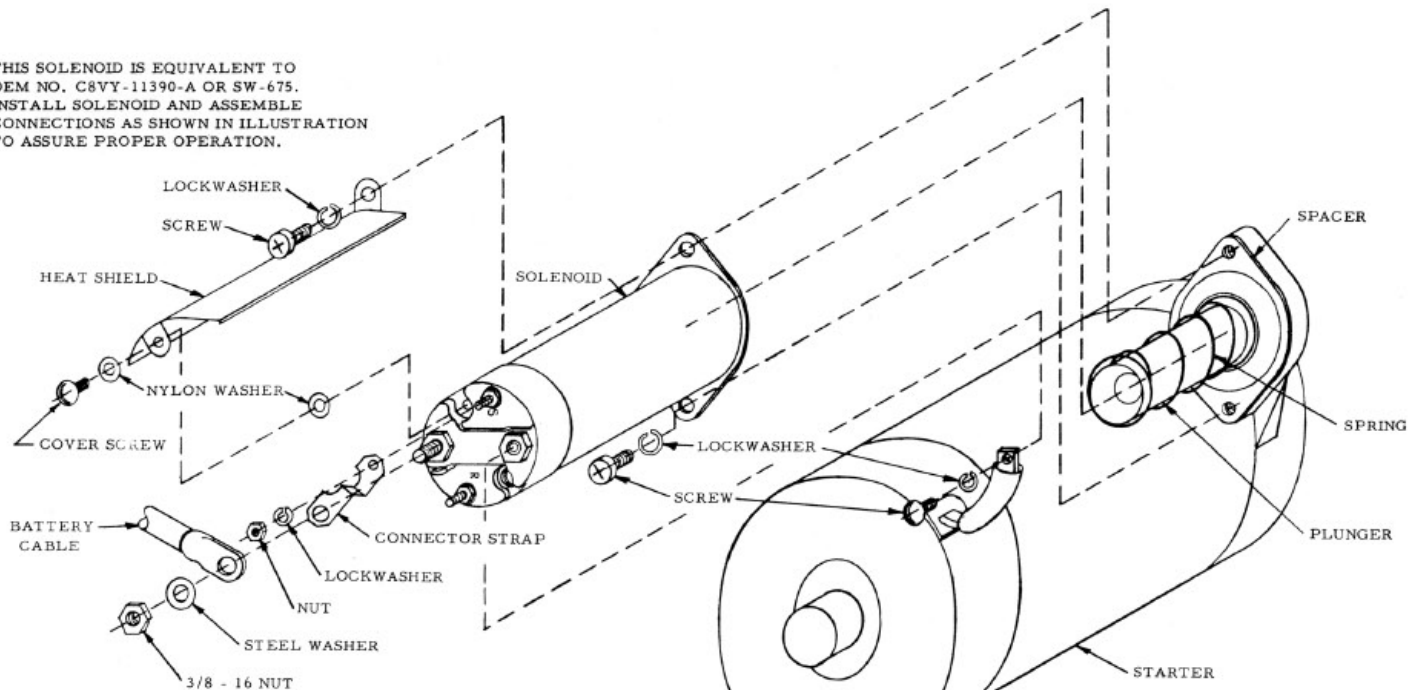


SOLENOID INSTALLATION INSTRUCTIONS

THIS SOLENOID IS EQUIVALENT TO
OEM NO. C8VY-11390-A OR SW-675.
INSTALL SOLENOID AND ASSEMBLE
CONNECTIONS AS SHOWN IN ILLUSTRATION
TO ASSURE PROPER OPERATION.



NOTES:

1. REMOVE HEAT SHIELD AND CONNECTOR STRAP FROM OLD SOLENOID AND INSTALL ON NEW SOLENOID AS SHOWN IN ILLUSTRATION.
2. IF THE ORIGINAL SOLENOID HAS THE "R" TERMINAL CONNECTED, RECONNECT SAME WIRE TO "R" TERMINAL ON REPLACEMENT SOLENOID.