

FUEL SYSTEM

SERVICE INSTRUCTION WORKSHEET

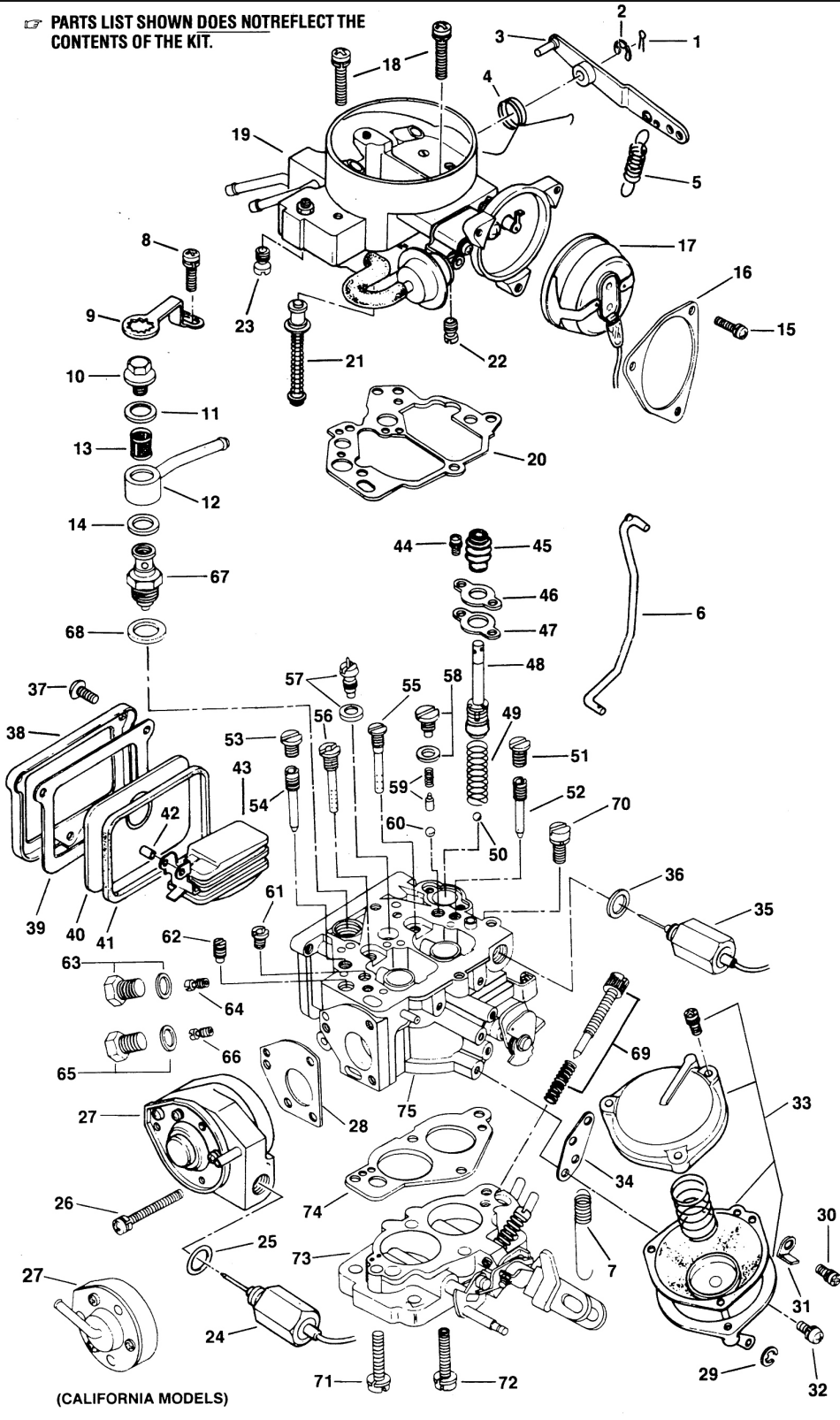
TO REPAIR

GF3703-8

HITACHI CARBURETOR

2 BARREL---MODELS DCH, DCP, DRJ 340

PARTS LIST SHOWN DOES NOT REFLECT THE CONTENTS OF THE KIT.



1. Carefully read the text in the following pages to become familiar with the contents of this worksheet before performing carburetor overhaul.
2. The exploded view shown is typical of the model carburetor this kit will service. The view may differ slightly from the actual carburetor being overhauled.
3. Use the exploded view as a guide. The numerical sequence may generally be followed to disassemble the carburetor far enough to permit cleaning and inspection.
4. Parts list shown DOES NOT reflect the contents of this kit.
5. Kit may contain extra parts intended for other carburetors within this group. Substitute identical replacement parts for original worn parts found in carburetor.

PARTS LIST

1. Cotter pin, pump lever
2. Retainer, pump lever
3. Lever, pump
4. Spring, pump lever
5. Spring, throttle return
6. Rod, accelerating pump
7. Spring, secondary lever return
8. Screw, lock bracket
9. Bracket, lock
10. Bolt, benjo fitting
11. Washer, benjo (upper)
12. Benjo, fuel inlet
13. Filter, fuel inlet
14. Washer, benjo (lower)
15. Screw, cover retainer (3)
16. Retainer, choke cover
17. Choke cover & coil assembly
18. Screw, air horn (3)
19. Air horn assembly
20. Gasket, air horn
21. Power piston assembly
22. Jet, richer
23. Jet, coasting air bleed
24. Solenoid, vacuum control
25. Washer, solenoid
26. Screw, coasting valve (3)
27. Coasting valve assembly
28. Gasket, coasting valve
29. Retainer, secondary diaphragm rod
30. Screw, cam stop
31. Cam, stop
32. Screw, secondary diaphragm (2)
33. Secondary, diaphragm assembly
34. Gasket, secondary diaphragm
35. Solenoid, anti-dieseling
36. Washer, solenoid
37. Screw, sight glass retainer (3)
38. Retainer, sight glass
39. Gasket, sight glass retainer
40. Sight glass, fuel bowl
41. Seal, sight glass
42. Bushing, float retainer
43. Float assembly
44. Screw, pump retainer (2)
45. Boot, pump rod
46. Retainer, pump
47. Gasket, pump retainer
48. Pump piston assembly
49. Spring, pump return
50. Check ball, pump intake
51. Plug, primary slow jet
52. Jet, primary slow
53. Plug, secondary slow jet
54. Jet, secondary slow
55. Jet, primary main air bleed
56. Jet, secondary main air bleed
57. Power valve & washer assembly
58. Plug & washer, pump discharge check
59. Spring & weight, pump discharge ball
60. Check ball, pump discharge
61. Jet, secondary slow air bleed
62. Jet, coasting
63. Plug & washer, primary main jet
64. Jet, primary main
65. Plug & washer, secondary main jet
66. Jet, secondary main
67. Needle & seat assembly
68. Washer, needle & seat
69. Needle & spring, idle mix. adjusting
70. Screw, throttle body
71. Screw, throttle body (2)
72. Screw, throttle body (hollow)
73. Throttle body assembly
74. Gasket, throttle body
75. Main body assembly

REMOVAL & INSTALLATION NOTES

1. Cover opening on intake manifold after carburetor is removed.
2. Part numbers **22 & 23**, choke valve, throttle valves, primary and secondary small venturi, and automatic choke housing, do not have to be removed unless replacement is necessary.
3. Mark positions and locations of springs, different screw lengths and rods to permit proper installation.
4. Record sizes of jets and their locations to indicate proper installation.
5. To remove coasting valve assembly (**27**), turn out only 3 longest screws (**26**).
6. File staking around power piston (**21**) for easy removal.
7. Before removing idle mixture adjusting needle (**69**), turn in until lightly seated, counting number of turns. Record for proper installation.
8. Install parts and components in reverse order of removal.
9. Install pump return spring (**49**) with cross wire in slot at bottom of pump cylinder.
10. On some models, before installing pump piston assembly (**48**), remove paper sleeve, flare leather cup, and soak cup in light oil for a few minutes.
11. When installing idle mixture adjusting needle (**69**) turn in until lightly seated, then back out number of turns recorded earlier.
12. After power piston (**21**) is installed, stake air horn casting to secure assembly.
13. Tighten sight glass retainer screws evenly. Do not over-tighten.

CLEANING

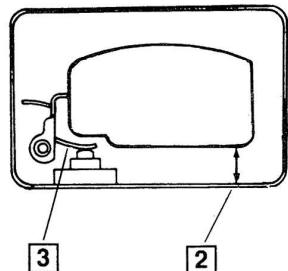
Cleaning must be done with carburetor disassembled. Use spray cleaner and a stiff bristle brush to remove dirt and carbon deposits. Do not use abrasives and wires to clean parts and passageways. Wash off in suitable solvent, and clear all passageways with compressed air.

CAUTION: When cleaning with solvent do not soak or spray parts containing rubber, leather, plastic and electrical components.

ADJUSTMENT DATA

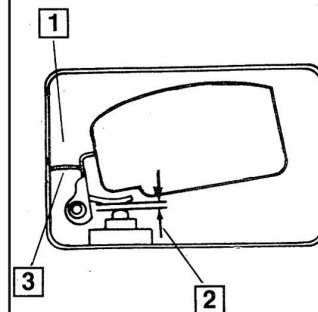
**FIG. 1
FLOAT LEVEL ADJUSTMENT**

1. With main body inverted, make sure float tang is resting on top of needle valve.
CAUTION: Do not exert pressure on needle valve.
2. Measure distance between toe end of float and top of chamber. On some models, check if float is parallel with top.
3. To adjust, bend tang as necessary.



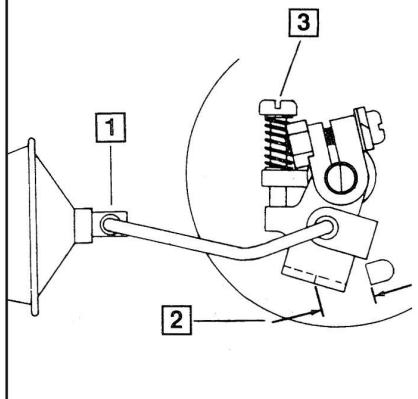
**FIG. 2
FLOAT DROP ADJUSTMENT**

1. With main body inverted, raise float until float stopper touches chamber wall.
2. Measure distance between float tang and top of needle valve.
3. To adjust, bend float stopper as necessary.



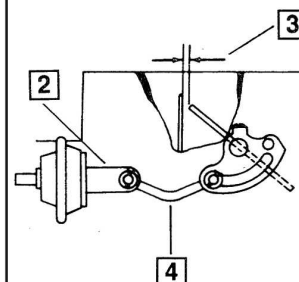
**FIG. 3
VACUUM BREAK ADJUSTMENT**

1. Push diaphragm stem until fully seated.
2. Measure distance between bi-metal lever side stopper and stop on choke thermostat cover.
3. To adjust, turn adjusting screw as necessary.



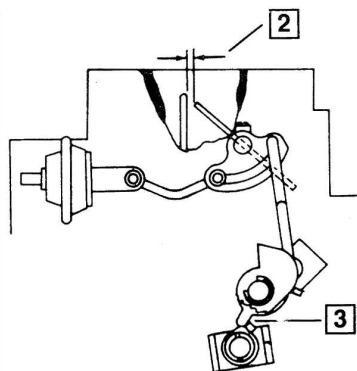
**FIG. 4
VACUUM BREAK ADJUSTMENT**

1. Attach a rubber band between choke linkage and a fixed point on carburetor to hold choke valve closed.
2. Pull diaphragm stem and pull outward (stem extended).
3. Measure distance between upper edge of choke valve and wall of air horn.
4. To adjust, bend connecting rod at elbow.



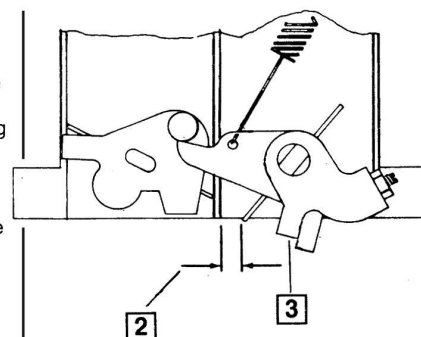
**FIG. 5
UNLOADER ADJUSTMENT**

1. Attach a rubber band between choke linkage and a fixed point on carburetor to hold choke valve closed.
2. With throttle valve in wide open position, measure distance between upper edge of choke valve and wall of air horn.
3. To adjust, bend unloader tang as necessary.
NOTE: With carburetor mounted on engine, be sure throttle valve opens fully in order to effectively operate unloader mechanism.



**FIG. 6
SECONDARY THROTTLE
"OPENING POINT"
ADJUSTMENT**

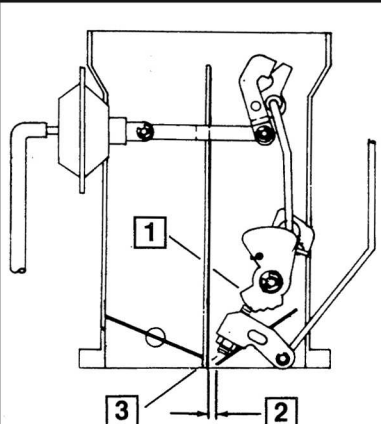
1. Open primary throttle valve until secondary valve is just beginning to open.
2. Hold throttle in this position and measure distance between primary throttle valve and throttle bore.
3. To adjust, bend primary throttle tang.



ADJUSTMENT DATA (Cont'd)

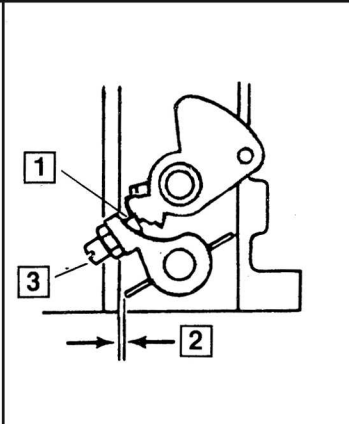
**FIG. 7
FAST IDLE ADJUSTMENT
(BENCH)**

1. Place fast idle screw on high step (1st step) of cam.
2. Measure distance between primary throttle valve and bore.
3. To adjust, turn fast idle screw as necessary.



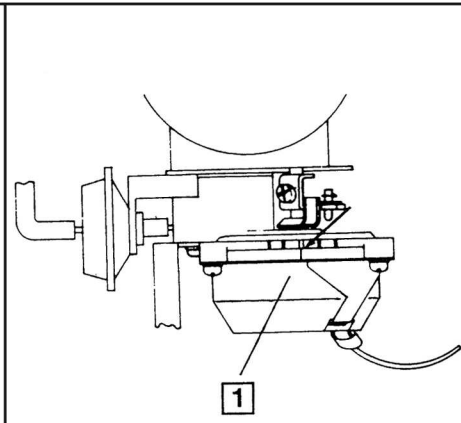
**FIG. 8
FAST IDLE ADJUSTMENT
(BENCH)**

1. Place fast idle screw on second step of cam. Invert carburetor and close choke valve.
2. Measure distance or angle between primary throttle valve and throttle bore.
3. To adjust, turn fast idle screw as necessary.



**FIG. 9
AUTOMATIC CHOKE
ADJUSTMENT**

1. Rotate choke cover to line up groove with index mark on choke housing.



SPECIFICATION CHART 1

| Year | Application | Float Setting Fig. 1 | Float Drop Fig. 2 | Vacuum Break (Pulloff) | Fig. | Unloader Fig. 5 | Sec. Throttle Fig. 6 | Fast Idle (Bench) Fig. | Fig. | Auto Choke Fig. 9 |
|--|--|-------------------------|----------------------|---------------------------|------|--------------------|-------------------------|------------------------------|------|----------------------|
| NISSAN CARS & TRUCKS — SPECIFICATION I.D.-A | | | | | | | | | | |
| 1974 | L18, L20B Eng. | 2 | 1.5 | 1.7 | 4 | 4.4 | 7.4 | 3 | 8 | Index |
| 1973 | L16 Eng. | — | 1.5 | 1.7 | 4 | 4.4 | 7.4 | — | — | Index |
| NISSAN CARS & TRUCKS — SPECIFICATION I.D.-B | | | | | | | | | | |
| 1980 | L20B Eng. -Trucks | 7.2 | 1.5 | 2.8 | 4 | 2.5 | 7.4 | .89 ⁴ | 8 | Index |
| 1979 | L20B Eng. -U.S. Exc. Model 510 -Cal. -Canada | 7.2 | 1.5 | 2.8 | 4 | 2.5 | 7.4 | 1.4 | 8 | Index |
| | | 7.2 | 1.5 | 2.65 | 4 | 2.5 | 7.4 | 1.4 | 8 | Index |
| | | 7.2 | 1.5 | 2.5 ⁵ | 4 | 2.5 | 7.4 | 1.4 | 8 | Index |
| 1978 | L20B Eng. -U.S. -Canada | 7.2 | 1.5 | 1.75 | 4 | 2.5 | 7.4 | 1.7 ⁶ | 8 | Index |
| | | 7.2 | 1.5 | 1.5 | 4 | 2.5 | 7.4 | 1.7 ⁶ | 8 | Index |
| 1977-76 | L18, L20B Eng. | 7.2 | 1.5 | 1.5 | 4 | 2.5 | 7.4 | 1.3 ⁷ | 8 | Index |
| 1975 | L18, L20B Eng. | 7.2 | 1.5 | 1.7 | 4 | 2.5 | 7.4 | 1.3 ⁷ | 8 | Index |
| GM TRUCKS (LUV) — SPECIFICATION I.D.-C | | | | | | | | | | |
| 1980 | | 2 | 1.5 | 3.1 | 3 | — | 6.9 | 2:3 ⁸ | 7 | Index |
| 1979 | | 2 | 1.5 | 3.1 | 3 | — | 6.9 | — | — | Index |
| 1978-75 | | 2 | 1.5 | 7.3 | 3 | — | 6.9 | 1.3 | 7 | Index |
| 1974 | | 2 | 1.5 | — | — | — | 7.2 | 1.6 | 7 | Index |
| 1973-72 | | — | 1.5 | — | — | — | 7.2 | — | — | Index |

FOOTNOTES:

- 1 Dimensions are given in millimeters.
- 2 Set float parallel with top of fuel bowl.
- 3 Models with A/T set 1.2mm; M/T set .95mm.
- 4 Carb. No. DCH340-112, 114 set 1.1mm.
- 5 Trucks set 2.65 mm.
- 6 Models with M/T set 1.4mm.
- 7 Models with M/T set 1.1mm.
- 8 If angle gauge is available, set 16-18°.

ABBREVIATIONS:

- A/T - Automatic Transmission
 Cal. - California
 Exc. - Except
 M/T - Manual Transmission