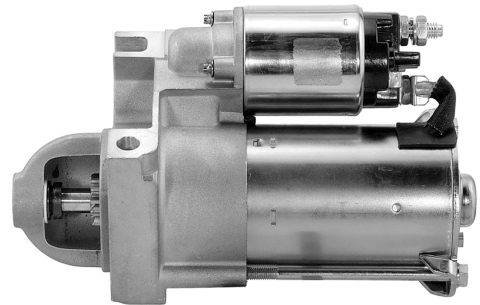
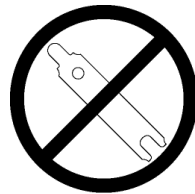
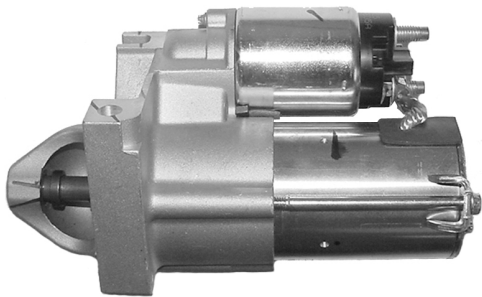
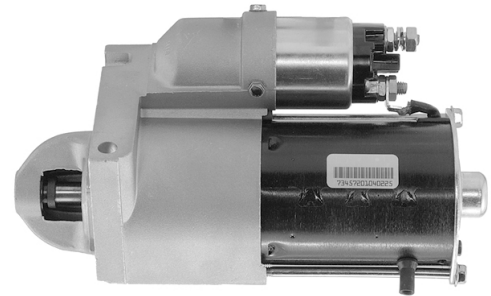
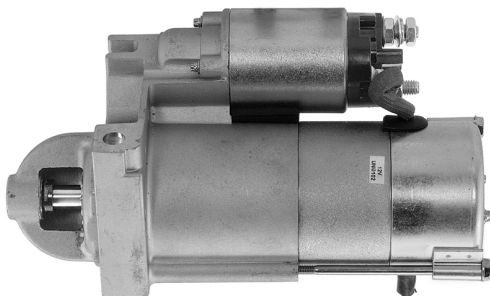


**These four O.E. late model starters replace all earlier versions.**



**No shimming required.**

**Models equipped with 9 or 11 tooth drive gears interchange without modifications required.**



**Despite the difference in appearance, these four starters have the same fit, function, and have increased performance over the earlier starters shown below.**

