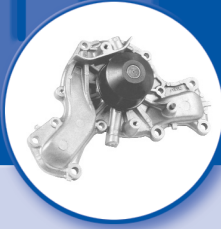


CARDONE ProTech

Supporting Today's Professional Technician



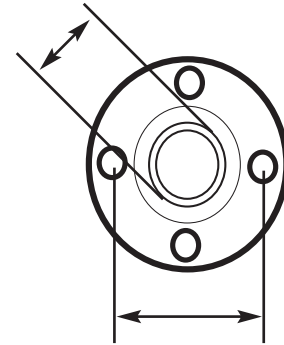
Matching Critical Dimensions and Features Ensures Correct Pump

Application: All vehicles with water pumps.

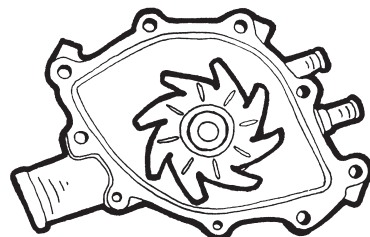
Problem: Installation problem due to improper fit or improper pump operation.

Cause: Replacement unit was not compared to original pump before installation.

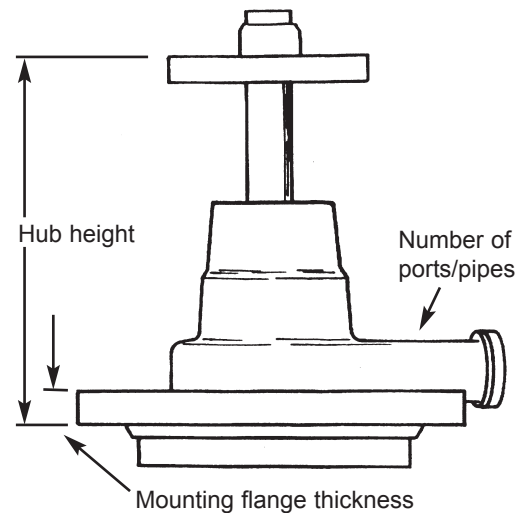
Solution: Always match critical dimensions before installing the replacement water pump.



Shaft size, hub bolt pattern and spacing, number of holes, thread size and type



Casting mounting holes and location

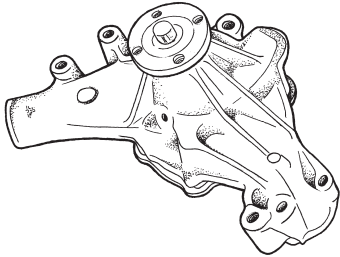


Note: Be sure to read and follow all installation instructions, tags or labels. Refer to Pro-Techs PT 58-0004, PT 58-0005 and PT 58-0006 for specific application issues.

For other ProTech publications, visit www.cardone.com
CARDONE Industries, Inc. • 5501 Whitaker Ave. • Philadelphia, PA 19124-1799

Water Pumps

Remanufactured Best by CARDONE[®]



- Smog Air Pumps
- Vacuum Pumps
- Water Pumps

Bearings - Because CARDONE insists on high quality and reliability in every part, our use of bearings is dependent upon the type of application.

Ball/Ball bearings are used mainly on passenger cars and light duty truck applications. Ball/Roller bearings are used mainly on high torque applications, because they are more durable. This is because the roller takes up more surface area on the shaft.

CARDONE recognizes that high torque applications require Ball/Roller bearings. Therefore, when required, CARDONE will replace Ball/Roller bearings with Ball/Roller and **not substitute** a Ball/Ball bearing like some competitors. In various instances, a water pump with an OEM supplied Ball/Ball bearing is **upgraded** to a Ball/Roller bearing in order to better meet the application requirements.



Ball/Roller

Ball/Ball

- 36 month or 36,000 mile warranty
- Contact your local auto parts store or visit our web site, www.cardone.com, for more information on this and other CARDONE products today!

